

PRODUCT DATA SHEET

November 2007

Metacaulk® Cast-In-Place Firestop Device

Classified Through-Penetration Fire Stop System Numbers

FA0016, FA0017, FA0018, FA1073, FA1074, FA1080, FA2146, FA2147, FA2148, FA3030, FA8017,



1. Product Description

Metacaulk® Cast-In-Place Firestop Devices are designed for use in poured concrete floors to form a through penetration firestop system. This device is installed prior to the concrete being poured. Once the concrete is poured and the forms are removed, Metacaulk® Cast-In-Place Firestop Devices provide a firestopped opening that allows for a variety of materials to pass through them such as plastic, metal, and insulated pipes, as well as cable and wire bundles.

Metacaulk® Cast-In-Place Firestop Device Features

- Saves on Labor Cost
- Eliminates core drilling
- Easy Installation
- Economical
- No Measurement of Material Required
- Highly Intumescent
- Tested for several items including but not limited to PVC, CPVC, ABS, PVC/ABS Foam Core, FRPP, steel, copper, conduit, EMT, insulated steel pipes, copper pipes, blank openings, as well as cables.

2. Material Properties

Asbestos Fillers	None
Solvents	None
Hazardous Ingredients	None

Activation of Intumescence:

Expansion Begins	375°F (190° C)
Expansion Greatest	575°F (302° C) to 1100°F (593° C)
Footprint (base)	6 5/8" x 3 1/2"
Opening (top)	6" x 2 1/2"

3. Applications

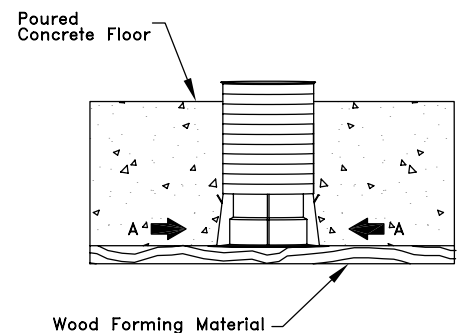
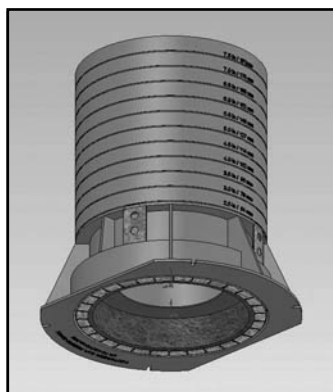
Metacaulk® Cast-In-Place Firestop Devices are used to seal off plastic pipes both in closed and open (DWV) conditions. Also for use on metal, and insulated pipes, as well as cable and wire bundles. Cast-In-Place Firestop Devices may be used on concrete floors rated to 3 hours.

4. Installation Data

Metacaulk® Cast-In-Place Firestop Devices are very easy to install.

- 1) Select the proper size to fit the diameter of pipe used.

- 2) Making sure annular space is within the limits set by the tested conditions, layout Cast-In-Place Firestop Device on wood forms or metal deck prior to the concrete being poured. Please note that Metacaulk® Cast-In-Place Firestop Devices are uniquely designed to allow for flush fit next to each other.
- 3) Secure device to wood form by nail or screw through holes around bottom ring.
- 4) To install Cast-In-Place Firestop Device on metal deck use metal deck adapter kit. (see back for metal deck adapter kit instructions)
- 5) Cut off top of Metacaulk® Cast-In-Place Firestop Device to concrete depth required.
- 6) Before pouring concrete, be sure top cap is securely in place to prevent flow of concrete into Cast-In-Place Firestop Device during pour.
- 7) Do not use for wall applications.



5. Testing Data

Metacaulk® Cast-In-Place Firestop Devices are classified by Underwriters Laboratories as a Firestop Device for through penetration. For specific test criteria, see the UL Fire Resistance Directory or call RectorSeal. Metacaulk® Cast-In-Place Firestop Devices were tested at a minimum .01 inches (2.5 Pa) of water positive pressure in accordance with UL 1479 (ASTM E814) test standards. Complies to Required Environmental Exposure Testing of Accelerated Aging and High Humidity as per UL 1479 Fire Test of Through-Penetration Firestops.



FGG/BM/CZ™ System Compatible* indicates that this product has been tested, and is monitored on an ongoing basis, to assure its chemical compatibility with FlowGuard Gold®, BlazeMaster® and Corzan® pipe and fittings.

FGG/BM/CZ, FlowGuard Gold®, BlazeMaster® and Corzan® are licensed trademarks of the Lubrizol Corporation.

6. Storage & Handling

Metacaulk® Cast-In-Place Firestop Devices should be stored in a cool, dry place. Keep product stored under protective cover in original container. A stock rotation program is recommended.

7. Availability

9. LIMITED WARRANTY

RectorSeal makes the Limited Express Warranty that when the instructions for storage and handling of our products are followed we warrant our products to be free from defects. THIS LIMITED EXPRESS WARRANTY IS EXPRESSLY IN LIEU OF ANY OTHER EXPRESS OR IMPLIED WARRANTIES, INCLUDING ANY IMPLIED WARRANTY OF MERCHANTABILITY OR FITNESS FOR A PARTICULAR PURPOSE, AND OF ANY OTHER OBLIGATION ON THE PART OF RECTORSEAL. The sole remedy for breach of the Limited Express Warranty shall be the refund of the purchase price. All other liability is negated and disclaimed, and RectorSeal shall not be liable for incidental or consequential damages.

Suggestions and recommendations covering the use of our products are based on our past experience and laboratory findings. However, as we have no control as to the methods and conditions of application, we only assume responsibility for the uniformity of our products within manufacturing tolerances.

Metacaulk® Cast-In-Place Firestop Devices are available in four sizes: 2.5" will accommodate bare and insulated pipe and cable bundles up to 2 7/8" OD; 4" CIP will accommodate multiple bare and insulated pipes, line sets, single bare and insulated pipes and cable bundles up to 4 1/2" OD; 6" CIP will accommodate multiple bare and insulated pipes, line sets, single bare and insulated pipes and cable bundles up to 6 5/8" OD; Oval multi purpose CIP device will accommodate multiple pipes and conduits and cable bundles up to a 2 1/2" by 5 3/4" opening.

Dimensions of Oval multi purpose

CIP device:

Base: 6 5/8" x 3 3/4"
opening: 5 3/4" x 2 1/2"

8. Limitations

Not for use in outdoor environments where long-term exposure to rainfall or saltwater spray may occur. No other limitations known if used as directed.

**For additional technical service,
call: 713-263-8001 or 1-800-231-3345
fax: 713-263-7577 or 1-800-441-0051**

RECTORSEAL

2601 Spenwick Drive, HOUSTON, TEXAS 77055
WWW.RECTORSEAL.COM
WWW.METACAULK.COM

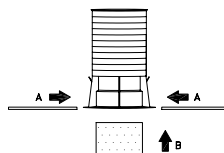


Figure 1

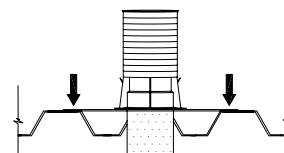


Figure 2

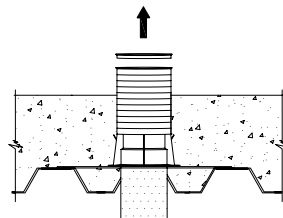


Figure 3

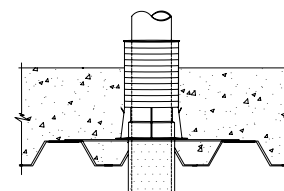


Figure 4

Instructions for Metal Deck Adapter Kit

- 1) Install metal wings "A" to side of Cast-In-Place Firestop Device. Figure 1
- 2) Install cardboard form "B" to underside of Cast-In-Place Firestop Device. Figure 1
- 3) Put Cast-In-Place Firestop Device with cardboard form into pre-cut hole in metal deck and fasten metal wings to deck. Figure 2
- 4) After concrete is poured and cured, remove cap. Figure 3
- 5) Cast-In-Place Firestop Device is ready for use. Insert penetrating item. Figure 4